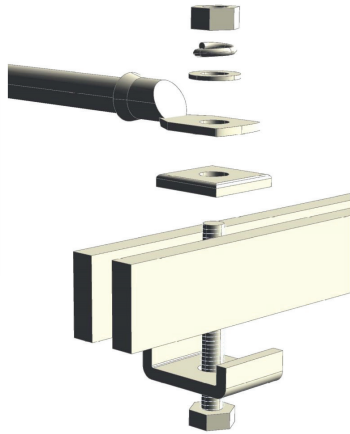
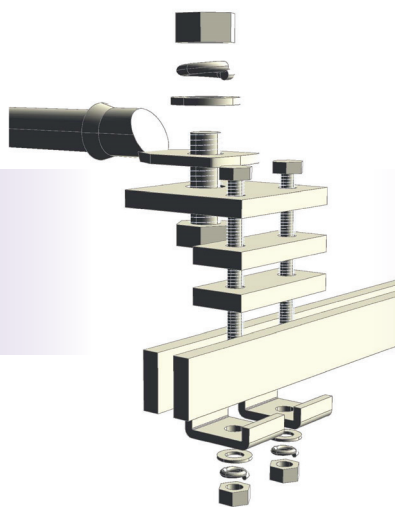


Busbar Clamps & Connections



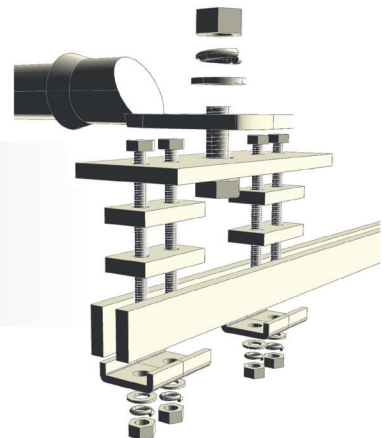
Order reference: **BCT/1**
Max: 160A - 50mm² - M6

Order reference: **BCT/2**
Max: 200A - 70mm² (2 x 50mm²) - M8

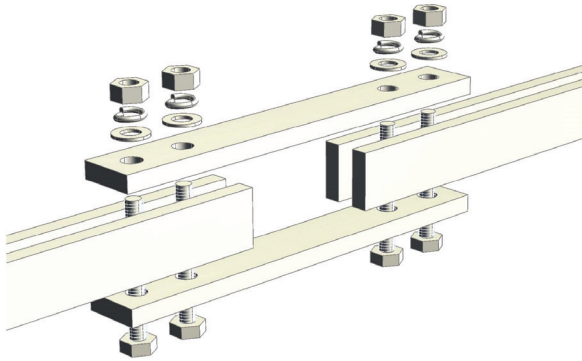


Order reference: **BCT/3**
Max: 800A - 240mm² - M12

Order reference: **BCT/400**
Max: 800A - 400mm² - M12



Busbar Clamps & Connections

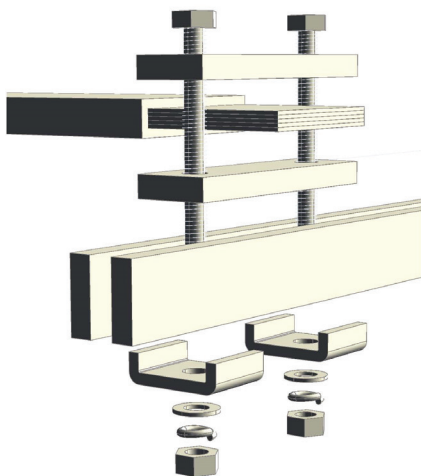


Order reference: **JJK6**
Max: 400A

Order reference: **JJK8**
Max: 800A

Order reference: **BCE/50**
Max: 160A - 50mm²

Order reference: **BCE/95**
Max: 250A - 95mm²



BCSS Clamps included with
Flexi-Bar Connection Kits