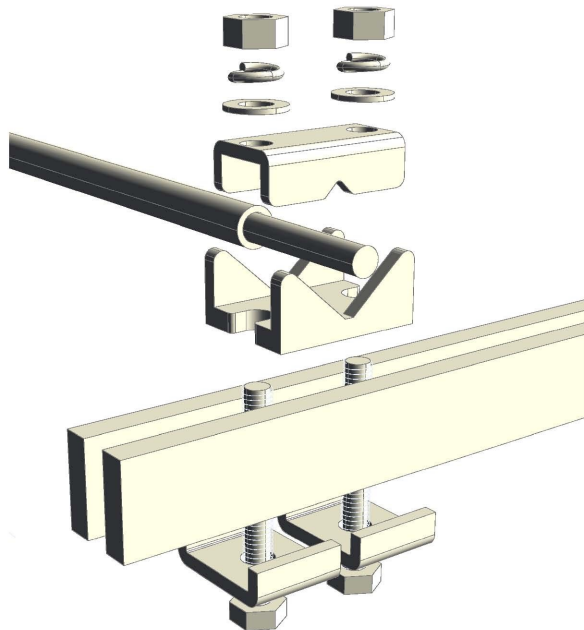


**BCSS
CLAMPS FOR
FLEXI-BAR
CONNECTION
KITS**

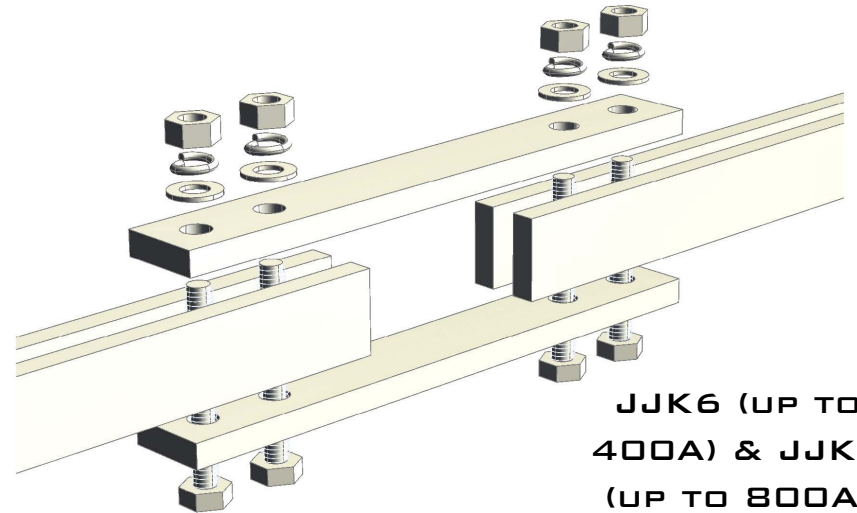


**BCE/50 (FOR
UP TO 160A
AND 50MM²
CABLE)
& BCE/95
(FOR UP TO
250A AND
95MM² CABLE)
DIRECT CABLE
CLAMPS**



BUSBAR CLAMPS AND CONNECTIONS ASSEMBLY INSTRUCTIONS

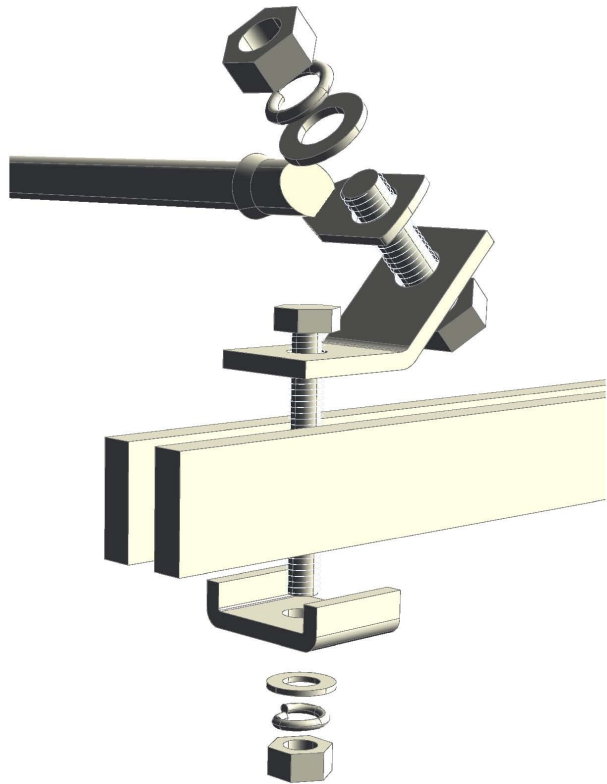
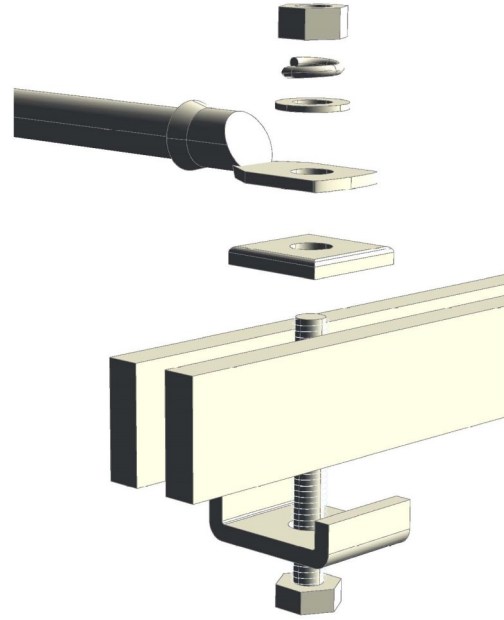
**TIGHTEN ALL CONNECTIONS, INCLUDING
THOSE FACTORY FITTED, BEFORE CONNECTING
MAINS SUPPLY.**



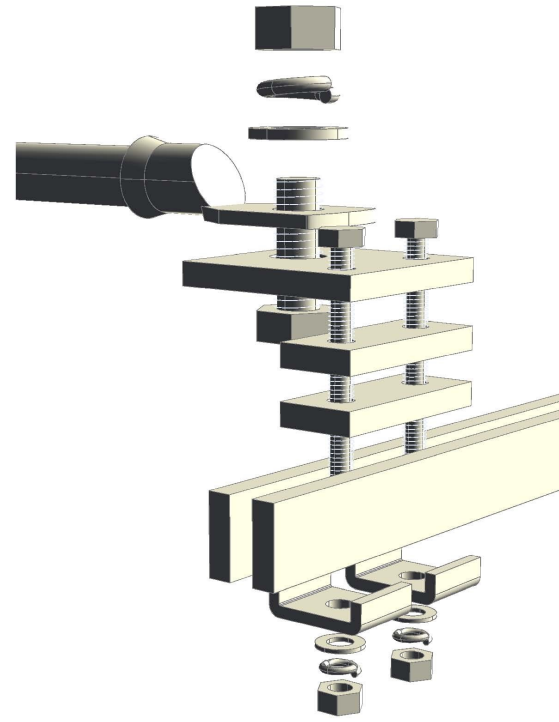
**JJK6 (UP TO
400A) & JJK8
(UP TO 800A)
JOINING KITS**

**SWITCHGEAR SYSTEMS, 16 WOODSIDE PARK,
WEBB ELLIS INDUSTRIAL ESTATE, RUGBY, WARCS.
T: 01788 577399 F: 01788 577899
SALES@SWITCHGEAR-SYSTEMS.COM**

BCT/1
M6 LUG
CLAMP FOR
UP TO 160A
50MM²
CABLE



BCT/2
M8 LUG
CLAMP FOR
UP TO 200A
70MM²
CABLE



BCT/3
M12 LUG
CLAMP FOR
UP TO 800A
AND 240MM²
CABLE

BCT/400
M12 LUG
CLAMP FOR
UP TO 800A
AND 400MM²
CABLE

