

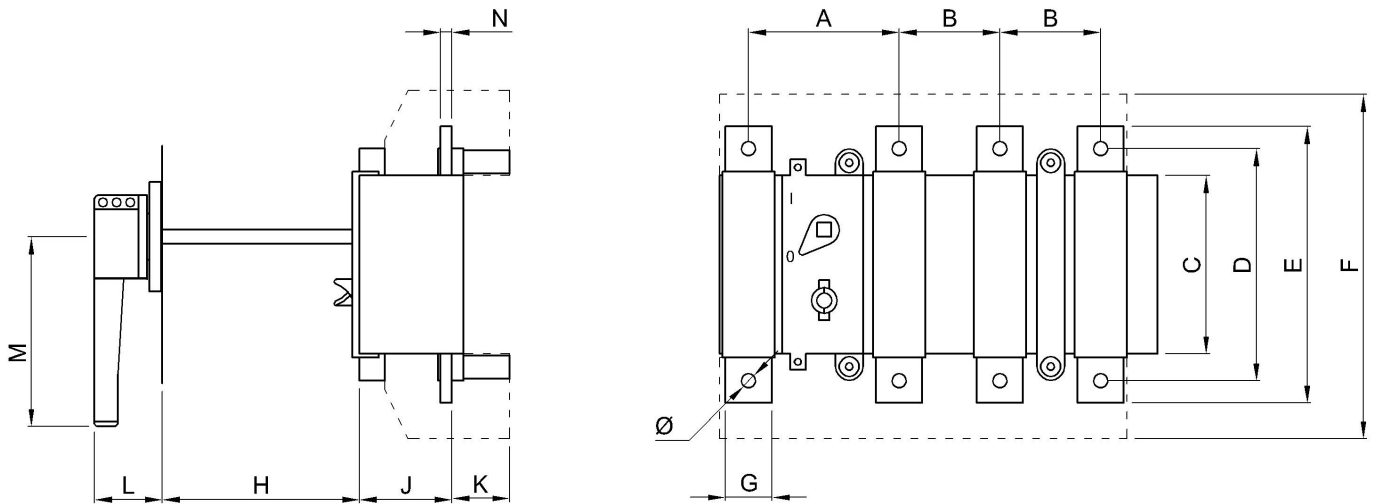
Switchgear Systems Ltd - Technical Data Sheet

INS Isolators 250A - 1000A

- Manufactured by Contactplasma S.R.L. Italy.
- Designed and tested in compliance with BS EN 60947-3.

TYPE (SERIES)			INS25	INS30	INS40	INS63	INS80	INS100		
RATED THERMAL CURRENT AT 40° MAX A.T. I_{th}	Enclosed	A	250	315	400	630	800	1000		
RATED VOLTAGE OF ISOLATION	U_i	a.c.	V	1000	1000	1000	1000	1000		
		d.c.	V	1000	1000	1000	1000	1000		
IMPULSE WITHSTAND VOLTAGE	-	kV	8	8	8	8	8	8		
OPERATIONAL CURRENT	AC23A	I_e	415V	A/kW	250/132	315/155	400/200	630/355	800/400	1000/500
			500V	250/160	315/200	400/280	630/425	800/560	1000/670	
			690V	250/220	315/275	400/375	400/375	800/710	800/710	
OPERATIONAL CURRENT	AC22A	I_e	690V	A	250	315	400	630	800	1000
			1000V							
REACTIVE POWER see Note 1	380V	kVAr	125	150	250	315	350	400		
RATED SHORT CIRCUIT MAKING CAPACITY I_{cm}	415V	kA peak	31	37	44	50	63	84		
MECHANICAL ENDURANCE	operations	n°	8000	8000	5000	5000	3000	3000		
ELECTRICAL LIFE	operations	n°	1000	1000	1000	1000	500	500		
POWER LOSSES PER POLE	-	W	8.2	13	20	50	50	55		

Note 1: Due to harmonics and tolerance of the capacitors, the rated values have been reduced by



Dimensions mm	Ø	A	B	C	D	E	F	G	H	J	K	L	M	N
INS25	10.5	109	65	108	136	161	234	25	77	77	32	59	125	4
INS30	10.5	109	65	108	136	161	234	30	77	77	32	59	125	4
INS40	10.5	109	65	108	136	161	234	30	77	77	32	59	125	4
INS63	12.5	130	87	164	200	238	333	40	159	83	42	59	165	6
INS80	12.5	130	87	164	200	238	333	40	159	83	42	59	165	6
INS100	12.5	130	87	164	200	238	333	40	159	83	38	59	165	10