

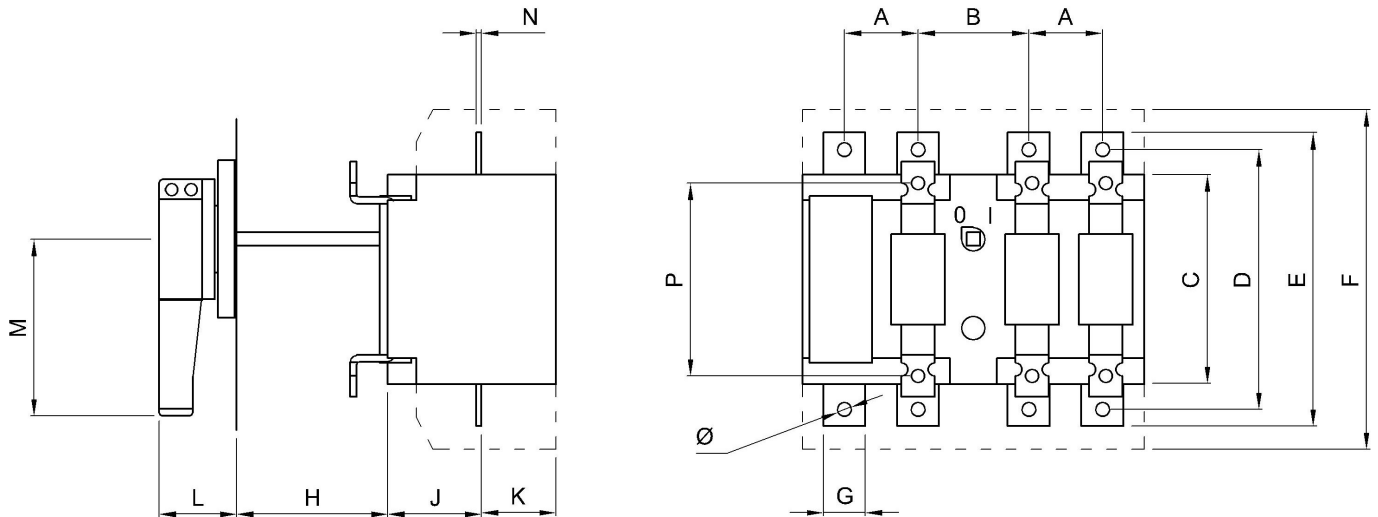
Switchgear Systems Ltd - Technical Data Sheet

IHF Switchfuses 63A - 125A

- Manufactured by Contactplasma S.R.L. Italy.
- Designed and tested in compliance with BS EN 60947-3.

TYPE (SERIES)			IHF 6	IHF 10	IHF 12		
RATED THERMAL CURRENT AT 40° MAX A.T.	I_{th}	Enclosed	A	63	100	125	
RATED VOLTAGE OF ISOLATION	U_i	a.c.	V	1000	1000	1000	
		d.c.	V	600	600	600	
IMPULSE WITHSTAND VOLTAGE		-	kV	6	6	6	
OPERATIONAL CURRENT	AC23A	I_e	415V	A/kW	63/45	100/55	125/75
			500V		63/63	100/75	125/90
			690V		63/80	100/90	125/120
OPERATIONAL CURRENT	AC22A	I_e	690V	A	63	100	125
			1000V				
REACTIVE POWER see Note 1		380V	kVAr	100	100	100	
RATED SHORT CIRCUIT MAKING CAPACITY	I_{cm}	415V	kA peak	10000	8000	8000	
MECHANICAL ENDURANCE		operations	n°	1500	1500	1500	
ELECTRICAL LIFE		operations	n°	A2 - A3	A4	B1 - B2	
FUSE TYPE		BS 88		5.5	5	6	
POWER LOSSES PER POLE		-	W	5.5	5	6	

Note 1: Due to harmonics and tolerance of the capacitors, the rated values have been reduced by 33%.



Dimensions mm	Ø	A	B	C	D	E	F	G	H	J	K	L	M	N	P
IHF 63A	6	33	54	100	115	129	174	14	102	50	38	44	85	2.5	73
IHF 100A	8.5	44	66	125	155	175	219	25	85	60	45	44	85	3	94
IHF 125A	8.5	44	66	125	155	175	219	25	85	60	45	44	85	3	111